

KE05

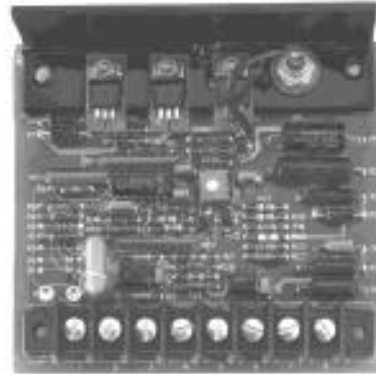
Time Proportional Amplifier Module

BLN-95-9021-2

Issued: June 1995

DESCRIPTION

The KE05 Time Proportional Amplifier Module provides automatic steering control on paving, curbing and planing machines. The KE05 receives a signal from an external potentiometer and outputs a control signal to a solenoid to position a screed, form or cutting drum.



TECHNICAL DATA

ELECTRICAL

OPERATING VOLTAGE
11 - 14 Vdc

OUTPUT CURRENT
3.5 amps, maximum

STANDBY CURRENT
100 mA, maximum

VOLTAGE MIDPOINT

Input null voltage shall be 4 Volts nominal when measured to the common on the PWB.

FREQUENCY

Within the proportional band the frequency of the output pulses is 3 ± 1 Hz.

ORDERING INFORMATION

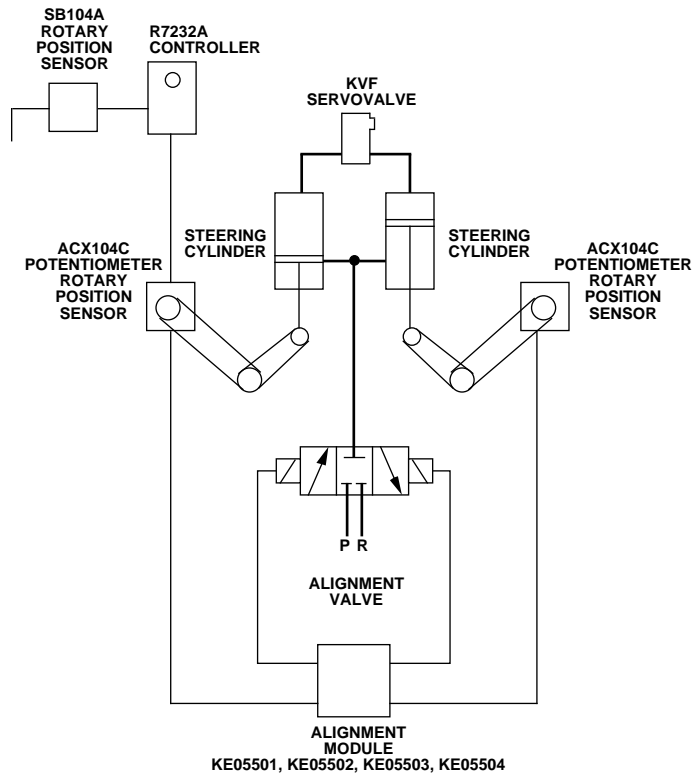
Order the KE05 per the information in Table A.

TABLE A. INFORMATION NECESSARY TO ORDER THE KE05 AMPLIFIER.

PART NUMBER	MAXIMUM DEADBAND (Vdc)	PROPORTIONING BAND		INPUT RATIO	GAIN	X TERM	R35,21
		TERM 5	TERM 6				
KE05501	.35	.25	.25	1:1	1X	No	100 Ohm
KE05502	.35	.25	.25	Nonlinear	1X	No	100 Ohm
KE05503	.47 (5) .25 (6)	.37	.21	2:1	1X	No	100 Ohm
KE05504	.16	.10± 50%	.10± 50%	1:1	5X	Yes	100 Ohm
KE05505	.35	.25	.25	1:1	1X	No	Jumpers
KE05506	.35	.25	.25	1:1	1X	No	100 Ohm

NOTE: All voltage measurements $\pm 15\%$ unless noted otherwise. Bracketed numbers for the KE05503 refer to terminals. On the KE05506, R1 is jumpered so that summing can be done externally.

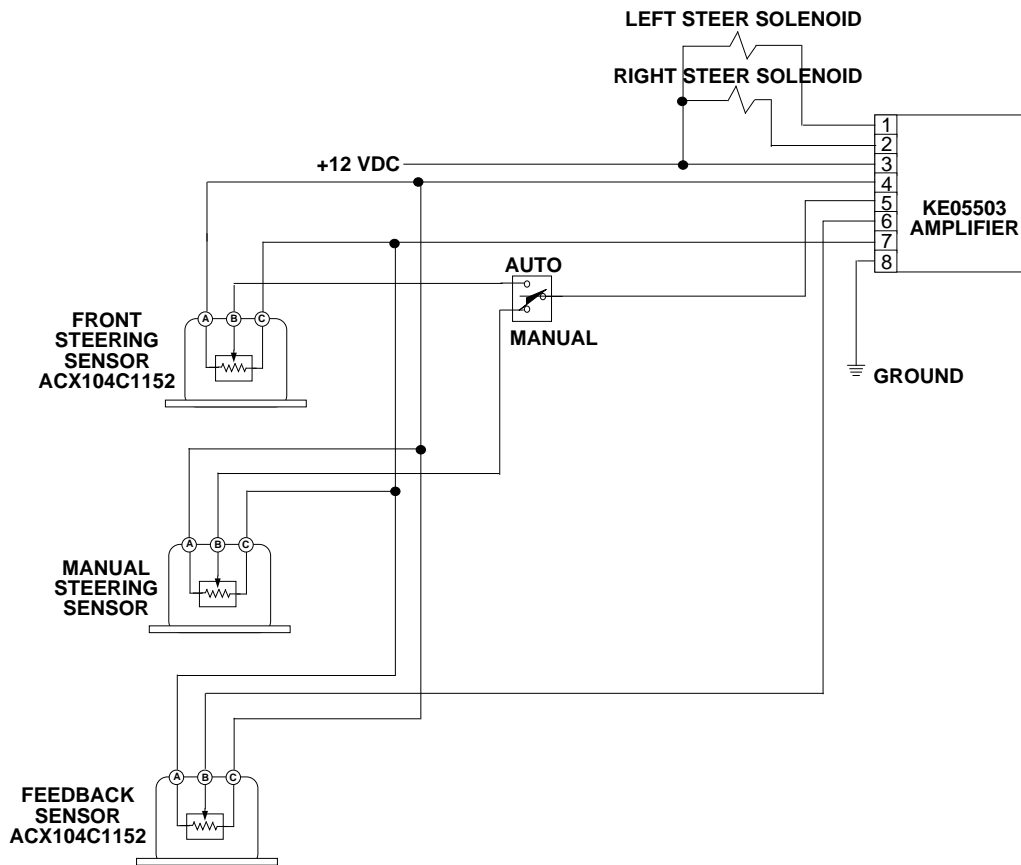
CONNECTION DIAGRAM



— Bold lines represent hoses.

1374A

TECHNICAL DATA



1583

CUSTOMER SERVICE

NORTH AMERICA

ORDER FROM

Sauer-Danfoss (US) Company
Customer Service Department
3500 Annapolis Lane North
Minneapolis, Minnesota 55447
Telephone: (763) 509-2084
Fax: (763) 559-0108

DEVICE REPAIR

For devices in need of repair, include a description of the problem, a copy of the purchase order and your name, address and telephone number.

RETURN TO

Sauer-Danfoss (US) Company
Return Goods Department
3500 Annapolis Lane North
Minneapolis, Minnesota 55447

EUROPE

ORDER FROM

Sauer-Danfoss (Neumünster) GmbH & Co.
Customer Service Department
Krokamp 35
Postfach 2460
D-24531 Neumünster
Germany
Telephone: 49-4321-8710
Telex: (299) 708
Fax: 49-4321-871-284