

KE01 AC Position/Level Amplifier

BLN-95-9034

Issued: March 1992

DESCRIPTION

The KE01 Rotary Position/Level Amplifier board is a printed wiring board assembly that accepts microsyn grade or steering information from an SB104 Rotary Position Sensor or slope information from the KS10201 Level Sensor and outputs a pulse-width-modulated signal to a V7059 or MCV113 Servovalve. It is typically used on planing machines, aerial lifts and motor graders.

The amplifier gain is adjustable through a user-provided external 10 kilohm potentiometer. It also has connections for an external setpoint and deviation meter.

TECHNICAL DATA

INPUT

SUPPLY VOLTAGE

11 - 15 Vdc

POWER CONSUMPTION

Dependent on load, 4.5 watts maximum at 12 Vdc

INPUT IMPEDANCE TO EACH BRIDGE DEMODULATOR

20 kilohms, minimum

MAXIMUM INPUT TO EACH BRIDGE DEMODULATOR

58 Volts peak-to-peak

MAXIMUM DIFFERENTIAL INPUT

10 Volts peak-to-peak at the amplifier gain connection

OUTPUT

POWER OUTPUT

0-5.8±.4 Vdc at 12 Vdc supply voltage with a 32 ohm, 0.5 henry load. Frequency of pulse width modulation is 440±40 Hz or 500±50 Hz

TRANSDUCER EXCITATION

Square wave at frequency of 440 or 500 Hz, nominal. Nominal amplitude into a slope sensor (10 ohm load) is 1.7 Volts peak-to-peak, 1.4 Vac as read on a VOM. Nominal amplitude into a grade sensor (5 ohm load) is 1.0 Volts peak-to-peak. 0.7 Vac as read on a VOM.

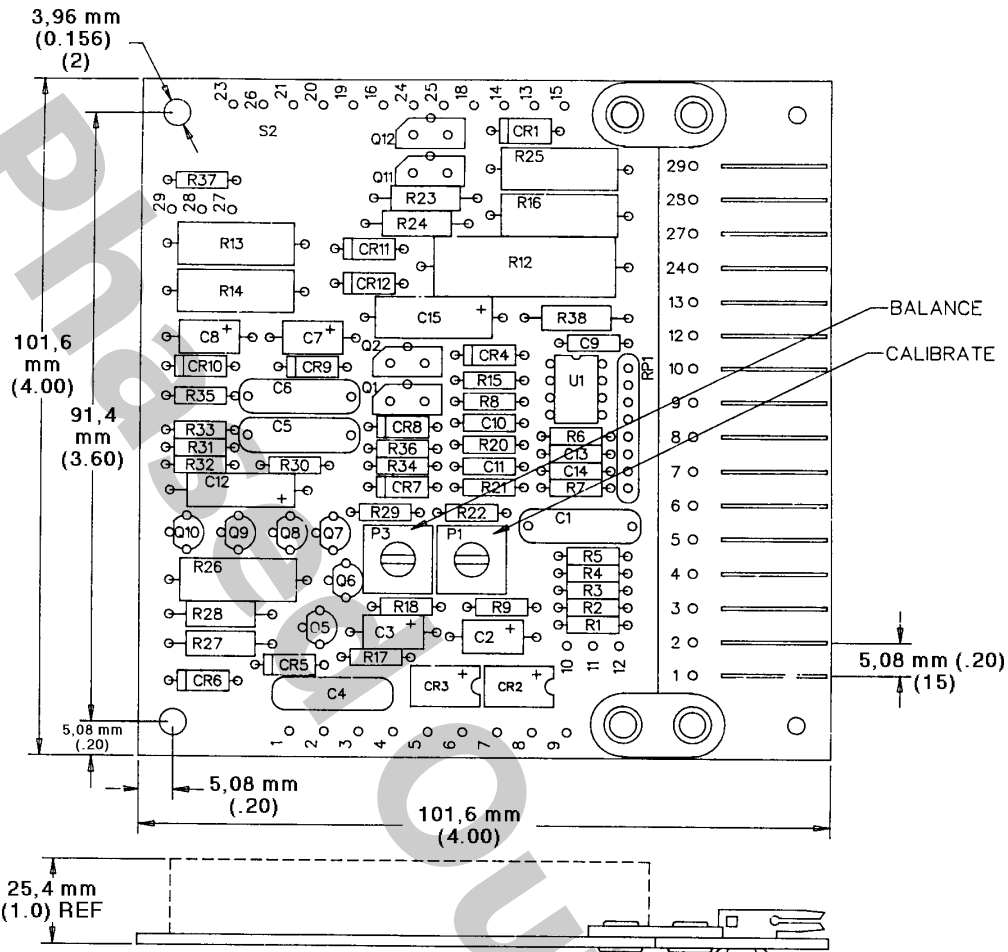
ORDERING INFORMATION

Order the KE01 Rotary Position/Level Amplifier per the information in Table A.

TABLE A. INFORMATION NECESSARY TO ORDER THE KE01.

MODEL NUMBER	USED IN	PULSE-WIDTH MODULATION FREQUENCY
KE01101	ACP114, ACP135, MCP100	440 Hz
KE01102	ACP129	440 Hz
KE01103	ACP114, ACP135	500 Hz
KE01104	MCP100	500 Hz

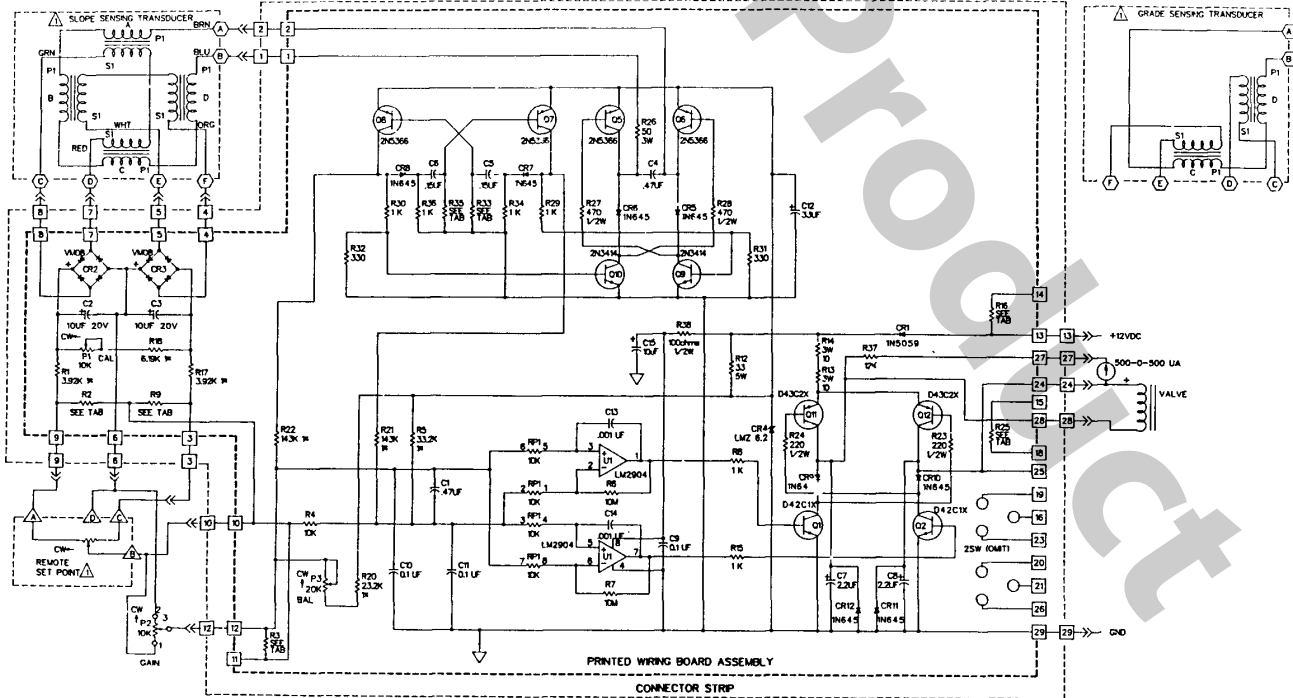
DIMENSIONS



1590

Dimensions of the KE01 Circuit Board in Millimeters (Inches).

CONNECTION DIAGRAM



1591

Printed Wiring Board Diagram

CUSTOMER SERVICE

NORTH AMERICA

ORDER FROM

Sauer-Danfoss (US) Company
Customer Service Department
3500 Annapolis Lane North
Minneapolis, Minnesota 55447
Phone: (763) 509-2084
Fax: (763) 559-0108

DEVICE REPAIR

For devices in need of repair or evaluation, include a description of the problem and what work you believe needs to be done, along with your name, address and telephone number.

RETURN TO

Sauer-Danfoss (US) Company
Return Goods Department
3500 Annapolis Lane North
Minneapolis, Minnesota 55447

EUROPE

ORDER FROM

Sauer-Danfoss (Neumünster) GmbH & Co.
Order Entry Department
Krokamp 35
Postfach 2460
D-24531 Neumünster
Germany
Phone: 49-4321-8710
Fax: 49-4321-871-184