

# Unit Specification

**KE04107**

**Valve Drive Amplifier**

3500 Annapolis Lane North, Minneapolis, MN 55447  
 Telephone: (763) 509-2084 Telefax: (612) 559-0108

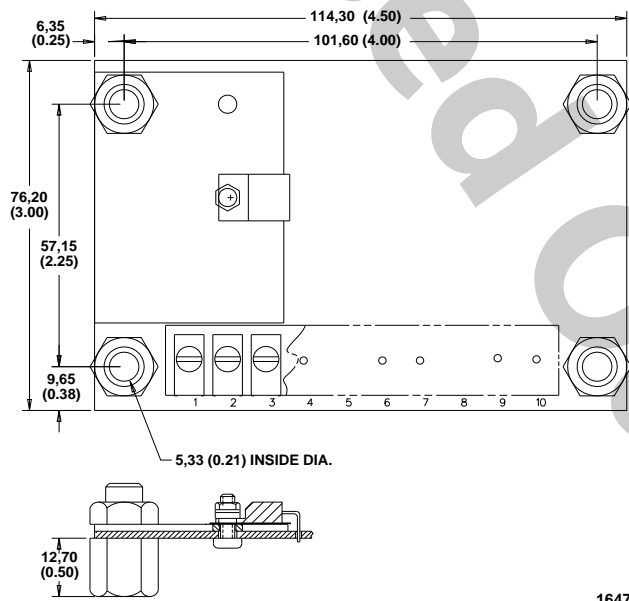
**ISSUE:** 2

**DATE:** September 1996

## GENERAL DESCRIPTION

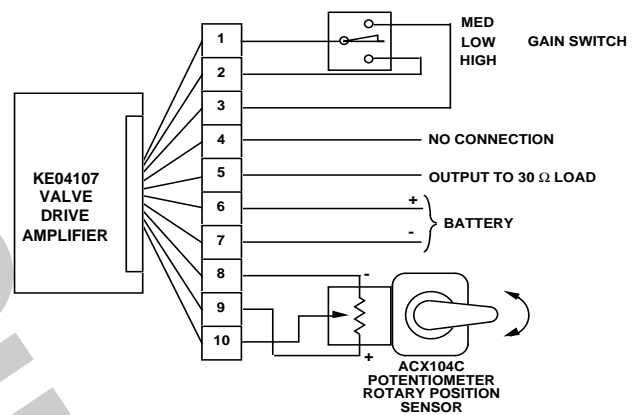
The device is a free-standing amplifier mounted on 4 standoffs. Voltage from a sensor potentiometer, through the amplifier, produces current to drive electrohydraulic actuators. Connections to the amplifier are via screw terminals with 3/16-inch quick-connects.

## DIMENSIONS



Dimensions of the KE04107 in Millimeters (Inches).

## CONNECTION DIAGRAM



POLARITY OF BATTERY CONNECTIONS MAY BE REVERSED TO CHANGE ACTION OUTPUT VERSUS SENSOR INPUT

GAIN SWITCH IS OPTIONAL. JUMPERS MAY BE USED IN PLACE OF SWITCH

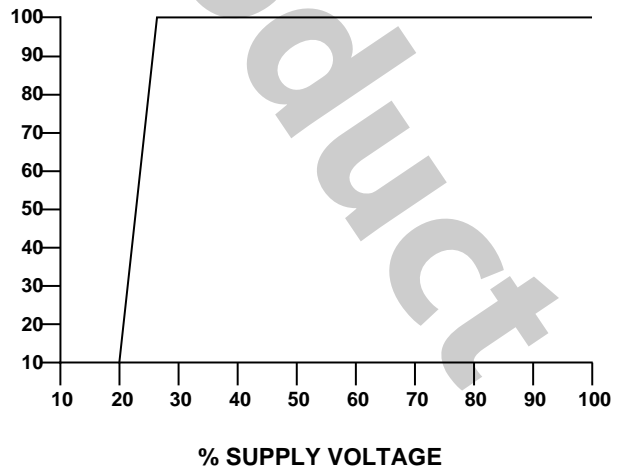
## OUTPUT CHARACTERISTICS

**SUPPLY VOLTAGE**  
 12 Vdc (11 to 15 Volts)

**TURN ON VOLTAGE**  
 20% of supply

**MAXIMUM OUTPUT CURRENT**  
 100 mA nominal

**% MAXIMUM OUTPUT VOLTAGE**



1652A