

Unit Specification

KE04108

Valve Drive Amplifier

3500 Annapolis Lane North, Minneapolis, MN 55447
Telephone: (763) 509-2084 Telefax: (763) 559-0108

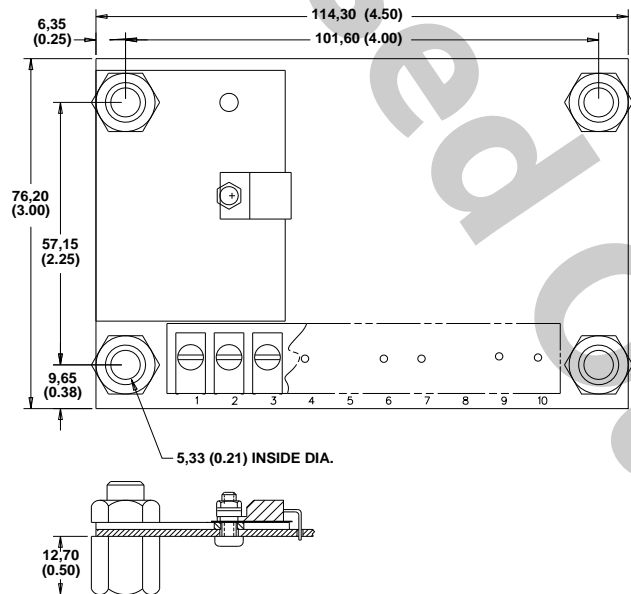
ISSUE: 4

DATE: September 1996

GENERAL DESCRIPTION

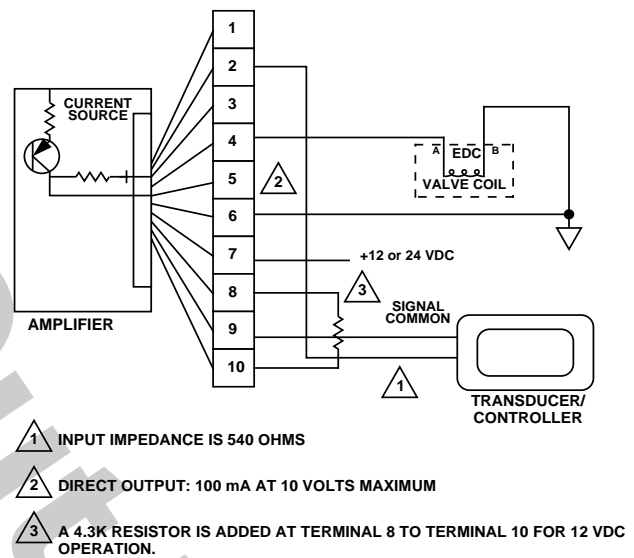
The device is a free-standing amplifier mounted on 4 standoffs. Voltage signal from a transducer/controller, through the amplifier, produces a proportional current to drive electrohydraulic actuators. Connections to the amplifier are via screw terminals.

DIMENSIONS



Dimensions of the KE04108 in Millimeters (Inches).

CONNECTION DIAGRAM



OUTPUT CHARACTERISTICS

12 VOLT OPERATION

INPUT VOLTAGE

0 to 10 Vdc (terminal 2)

OUTPUT CURRENT

0–100 mA nominal into a 25 ohm load (terminal 4)

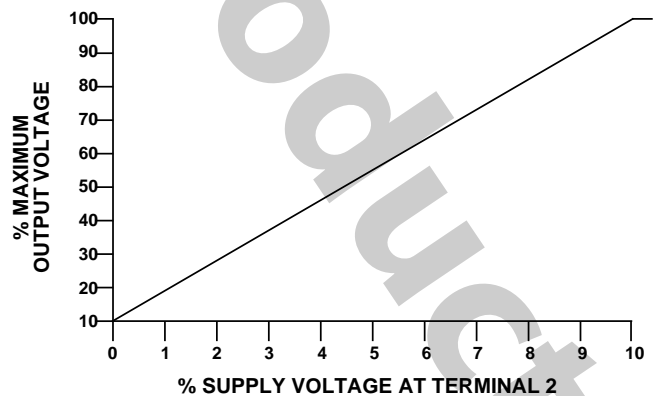
24 VOLT OPERATION

INPUT VOLTAGE

0 to 10 Vdc (terminal 2)

OUTPUT CURRENT

0–110 mA nominal into a 25 ohm load (terminal 4)



1654A