

Unit Specification

KE04110 Valve Drive Amplifier

3500 Annapolis Lane North, Minneapolis, MN 55447
Telephone: (763) 509-2084 Telefax: (763) 559-0108

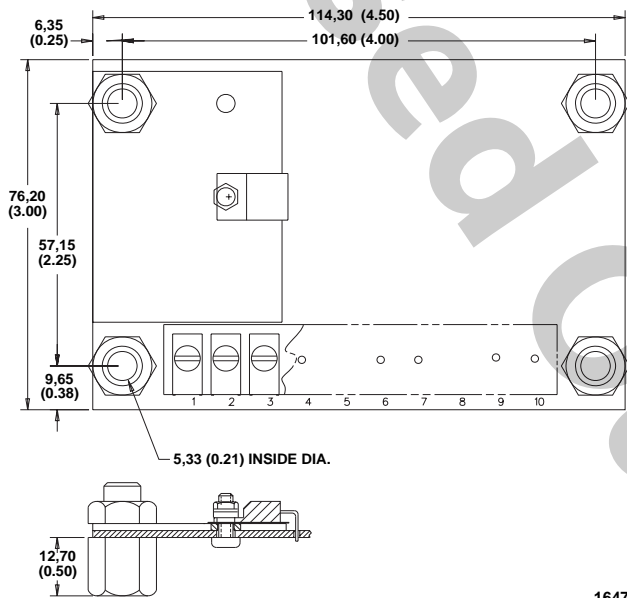
ISSUE: 2

DATE: September 1996

GENERAL DESCRIPTION

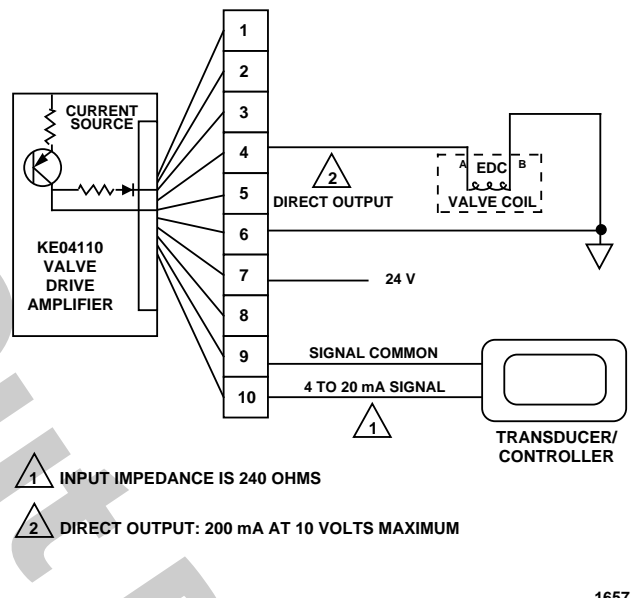
The device is a free-standing amplifier mounted on 4 standoffs. Current or voltage signal from a transducer/controller, through the amplifier, produces current to drive electrohydraulic actuators. Connections to the amplifier are via screw terminals.

DIMENSIONS



Dimensions of the KE04110 in Millimeters (Inches).

CONNECTION DIAGRAM



OUTPUT CHARACTERISTICS

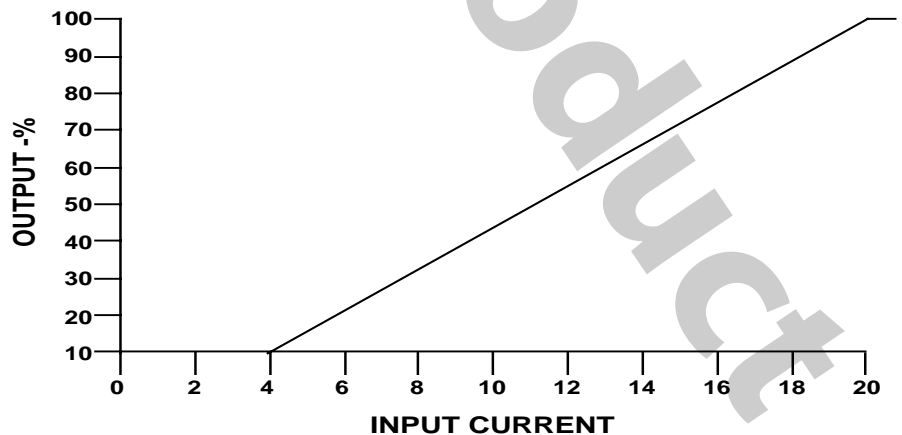
SUPPLY VOLTAGE
24 Vdc

INPUT IMPEDANCE
240 ohm

START CURRENT
4 mA nominal (1 Volt)

FULL STROKE CURRENT
20 mA (4.8 Volt)

OUTPUT CURRENT
100 mA into a 25 ohm load



1651A