

Unit Specification

KE04201

Valve Drive Amplifier

3500 Annapolis Lane North, Minneapolis, MN 55447
 Telephone: (763) 509-2084 Telefax: (763) 559-0108

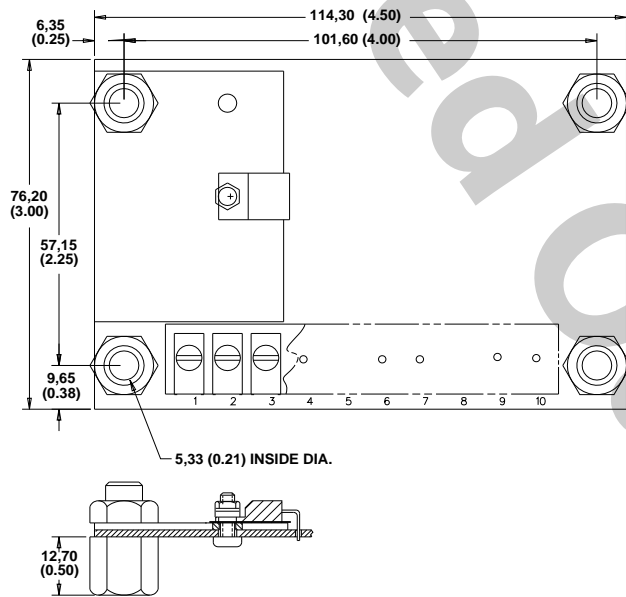
ISSUE: 3

DATE: September 1996

GENERAL DESCRIPTION

The device is a free-standing amplifier mounted on 4 standoffs. Voltage from a sensor potentiometer, through the amplifier, produces current to drive electrohydraulic actuators. Connections to the amplifier are via screw terminals. An external switch can change gain settings by shorting between two terminals.

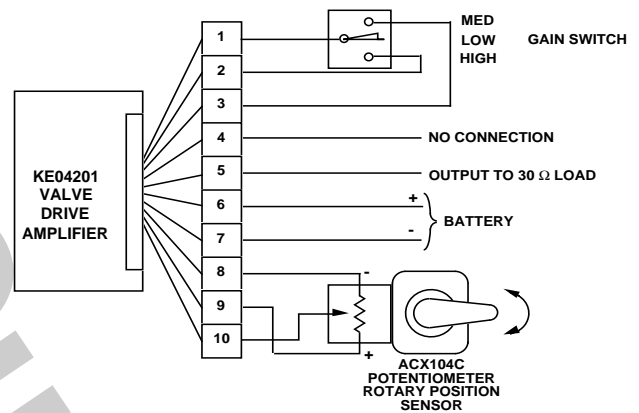
DIMENSIONS



1647

Dimensions of the KE04201 in Millimeters (Inches).

CONNECTION DIAGRAM



1648

POLARITY OF BATTERY CONNECTIONS MAY BE REVERSED TO CHANGE ACTION OUTPUT VERSUS SENSOR INPUT

GAIN SWITCH IS OPTIONAL. JUMPERS MAY BE USED IN PLACE OF SWITCH

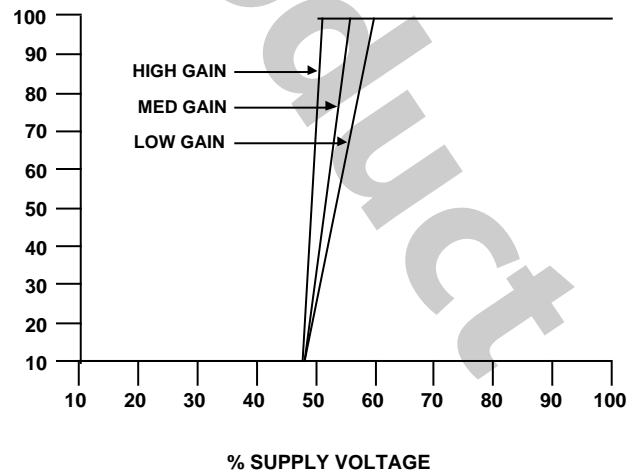
OUTPUT CHARACTERISTICS

SUPPLY VOLTAGE
 24 Vdc (22 to 30 Volts)

TURN ON VOLTAGE
 48% of supply

MAXIMUM OUTPUT CURRENT
 600 mA to 30 Ω Load

% MAXIMUM OUTPUT VOLTAGE



1649A